

Delta

User & Installation Manual



General notes and precautions.

Before first use.

- Make sure to read thoroughly all the instructions before using the Delta.
- In case that you do not understand any of the instructions or have any doubt for the installation or operation of the Delta, please consult your supplier.
- A specialized technician must do the installation of Delta.

Installation.

- Delta must not be installed, in any case, on flammable areas.
- Do not install Delta near any kind of heating source.
- Make sure that the power supply is turned off during the installation procedure.



Mechanical.

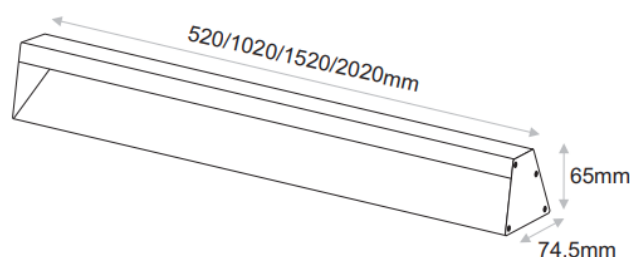
- Make sure that Delta is properly installed, safely mounted, and connected.

Electrical.

- The luminaire must be connected only by a qualified electrician.
- The supply input of multichannel Delta models (RGBW, Tunable white) is common anode, and the appropriate power supply and controller should be used.
- Disconnect the power supply for any service.

General.

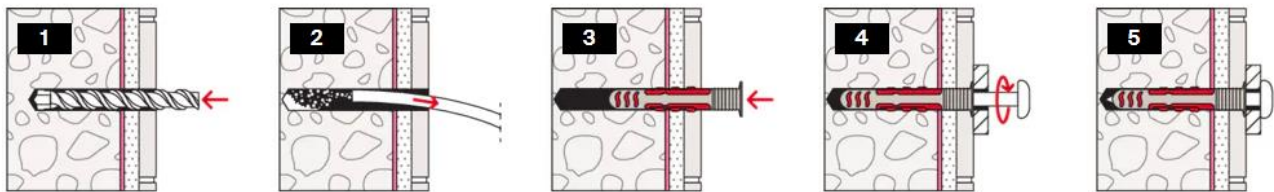
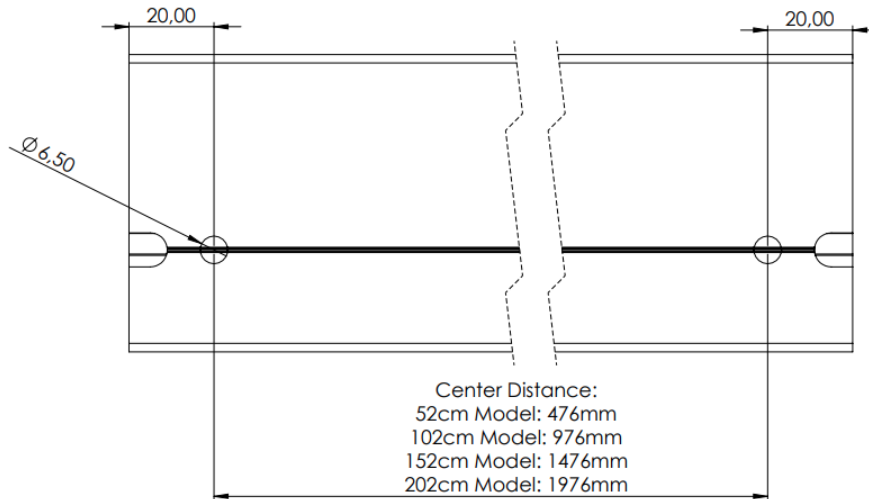
- Delta is not suitable for drive over applications.
- Do not try to fix any damage or malfunction, by opening the Delta.
- DELTA should be cleaned only with a soft cloth and water.
- The manufacturer is not responsible for any injury or damage that will occur from the improper installation or use of the product.
- The safety of this fixture is guaranteed only if you comply with the following instructions.
- Make sure that all the local laws and regulations are followed during the installation procedure.
- Remember to conserve these instructions in a safe place.
- At the end of its lifetime DELTA must be delivered in a special waste collection center. The improper disposal can cause damages for the environment and poses dangers for the human health.



Installation.

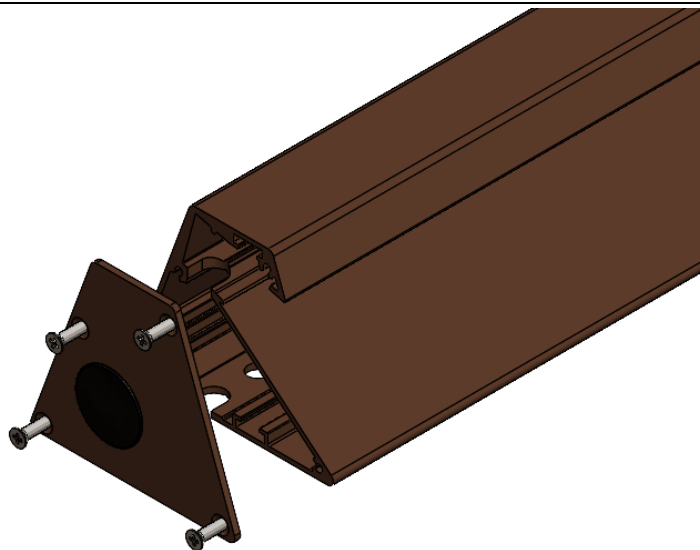
Before starting the installation, please read the section “General notes and precautions.”

Mark, drill and place the appropriate anchors following the guideline below.



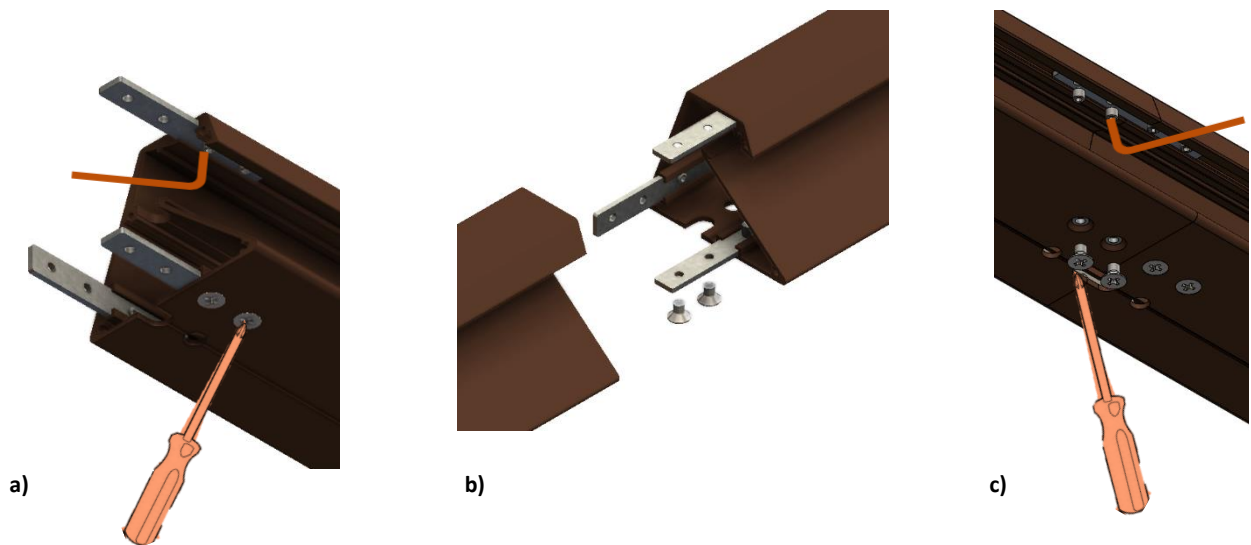
Recommended Anchors: 6x35, Recommender Screws: DIN 7505-B 4.5x60mm

Remove the end caps from both sides.

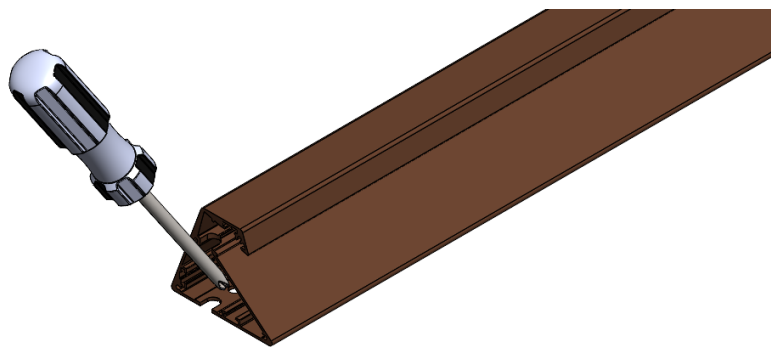


In Line Extension (Optional):

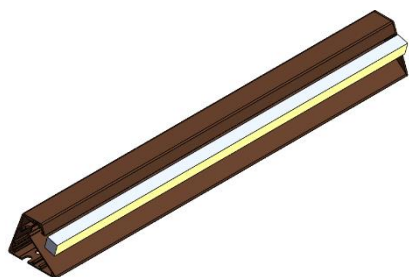
If needed, more than one Delta can be installed one next to the other, to do so then the ACC.056 x3 line extension accessory is needed. Install the 3 extensions line as illustrated bellow,



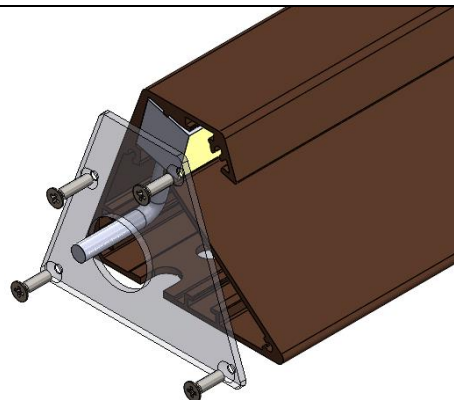
When the extensions are ready then the aluminum profile can be secured in place. Two mounting points are needed in every Delta array.



Once the profile is mounted then the baseline can be installed.



Pass the cable through the end cap and connect to the appropriate power supply.



When mounting Delta between walls. Make sure that there is enough gap left and right in order to screw back the end caps after the installation.